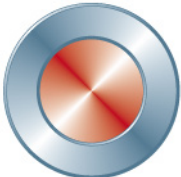
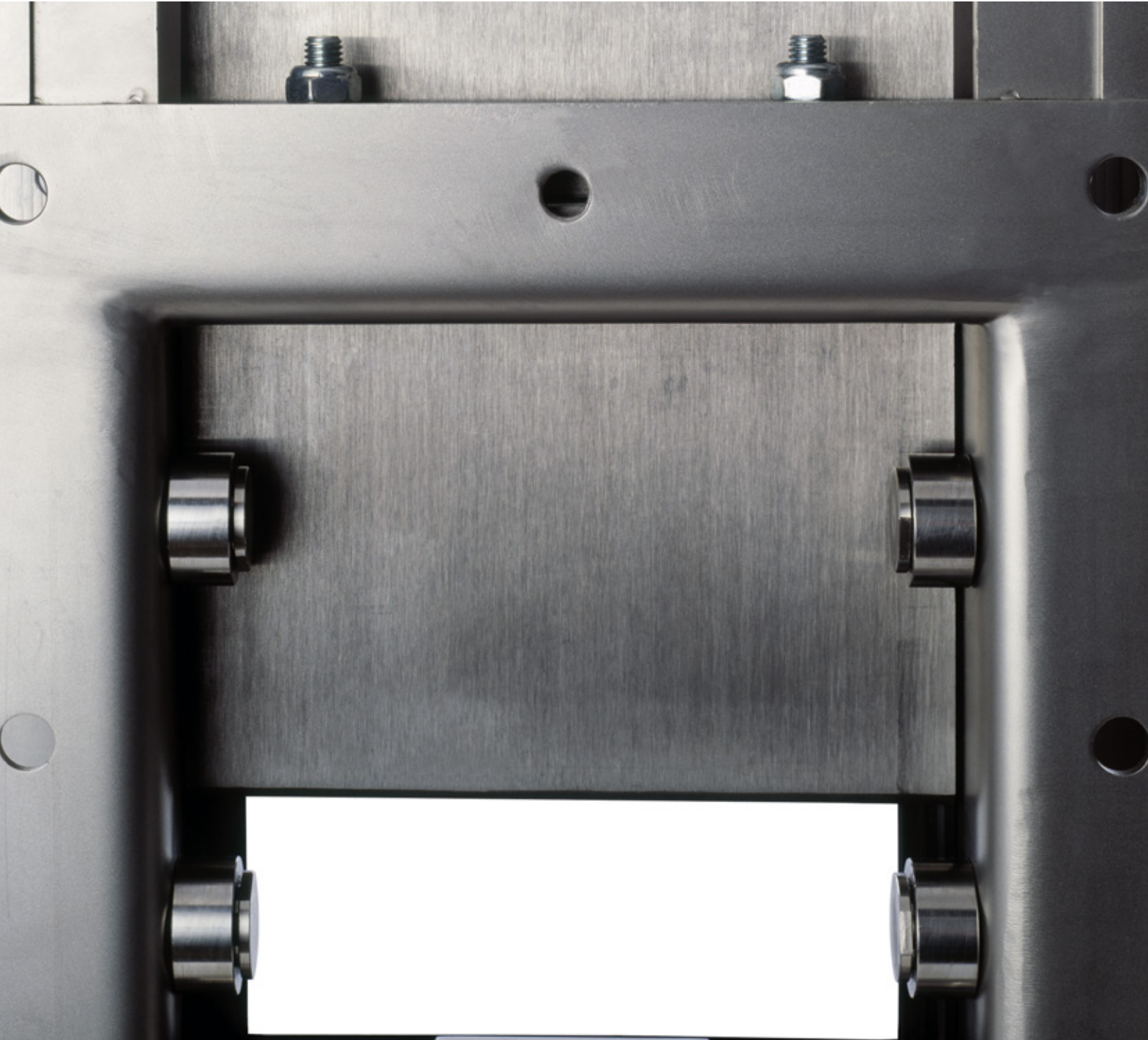


Knife gate valve RKS



Stafsjö
SINCE 1666

Data is only for informational purpose. All specifications are subject to change without notice.

Knife gate valve RKS

Stafsjö's knife gate valve RKS is an isolating valve designed for low pressure systems in water and waste water applications, but it can also be used in other applications handling sludge, pellets or similar.

The RKS valve is a robust welded construction in stainless steel, available sizes ranges from 200x200 mm up to 1000x1000 mm. It is equipped with a gate in stainless steel and a sealing profile in Nitrile or brass. The glandbox is supplied with Stafsjö's unique gland box packing, TwinPack™, to secure that no media reaches the surrounding environment. The valve is modular designed and it can easily be provided with different actuators and accessories.

RKS is designed and manufactured according to Swedish standards for pressure equipment and pipe systems: TKN 1987 and RN 1978.



Design data

| Sizes | Flange drilling | Face-to-face dimension | Leakage rate | Pressure test |
|---------------------|--------------------------------|--------------------------------|---|--|
| 200x200 - 1000x1000 | Stafsjö manufacturing standard | Stafsjö manufacturing standard | The RKS knife gate valve is drip tight with a soft sealing profile. | Pressure tests are not performed on the body. Seat tightness test is only performed with soft sealing profile. |

Other sizes on request

| Maximum working pressure body at 20°C | | Maximum differential pressure in preferred direction at 20°C | |
|---------------------------------------|-----|--|-----|
| Sizes | bar | Sizes | bar |
| 200x200 - 1000x1000 | 3 | 200x200 - 1000x1000 | 1 |

| Valve sizes (mm) | | | | | | | | | | | | | | | | | | | |
|------------------|-----|-----|-----|-----|-----|-----|-----|-----|-----|-----|-----|-----|-----|-----|-----|-----|------|---|---|
| A1▼ A2▶ | 200 | 250 | 300 | 350 | 400 | 450 | 500 | 550 | 600 | 650 | 700 | 750 | 800 | 850 | 900 | 950 | 1000 | | |
| 200 | x | x | x | | | | | | | | | | | | | | | | |
| 250 | x | x | x | x | | | | | | | | | | | | | | | |
| 300 | x | x | x | x | x | x | | | | | | | | | | | | | |
| 350 | | x | x | x | x | x | x | | | | | | | | | | | | |
| 400 | | | x | x | x | x | x | x | x | | | | | | | | | | |
| 450 | | | x | x | x | x | x | x | x | x | x | x | | | | | | | |
| 500 | | | | x | x | x | x | x | x | x | x | x | x | | | | | | |
| 600 | | | | | x | x | x | x | x | x | x | x | x | x | x | x | | | |
| 700 | | | | | | | x | x | x | x | x | x | x | x | x | x | x | | |
| 800 | | | | | | | | x | x | x | x | x | x | x | x | x | x | x | x |
| 1000 | | | | | | | | | | | x | x | x | x | x | x | x | x | x |

A1: Width bore

A2: Hight bore

Basic equipment

| A. Valve Body | | |
|-----------------|------|---------------------|
| Material | Code | Name |
| Stainless steel | (E) | EN 1.4404/AISI 316L |

| B. Gate | |
|-----------------|--------------------|
| Material | Name |
| Stainless steel | EN 1.4301/AISI 304 |

| C. Sealing profile | | |
|--------------------|------|------------------------|
| Material | Code | Maximum temperature °C |
| Brass | (M) | 200 |
| Nitrile | (N) | 100 |

| D. Box packing | | |
|----------------|------|------------------------|
| Material | Code | Maximum temperature °C |
| TwinPack™ | (TY) | 260 |

Actuators

| Manual | Code | Automatic | Code |
|-------------|-------|--------------------|------|
| Hand wheel | (HWR) | Pneumatic cylinder | (AC) |
| Chain wheel | (CWR) | Elektric motor | (EM) |

| Hand wheel (HWR) with rising stem | | | Chain wheel (CWR) with rising stem | |
|-----------------------------------|----------|-------------|------------------------------------|-------------------|
| Size valve | Size HWR | Stem thread | Size valve | Size CWR |
| 200 x 200 - 500 x 800 | Ø 315 | Tr 26 x 5 | 200 x 200 - 300 x 450 | Ø 225 |
| 600 x 400 - 600 x 900 | Ø 400 | Tr 32 x 6 | 350 x 250 - 500 x 800 | Ø 320 |
| 700 x 500 - 1000 x 1000 | Ø 520 | Tr 40 x 7 | 600 x 400 - | Larger on request |

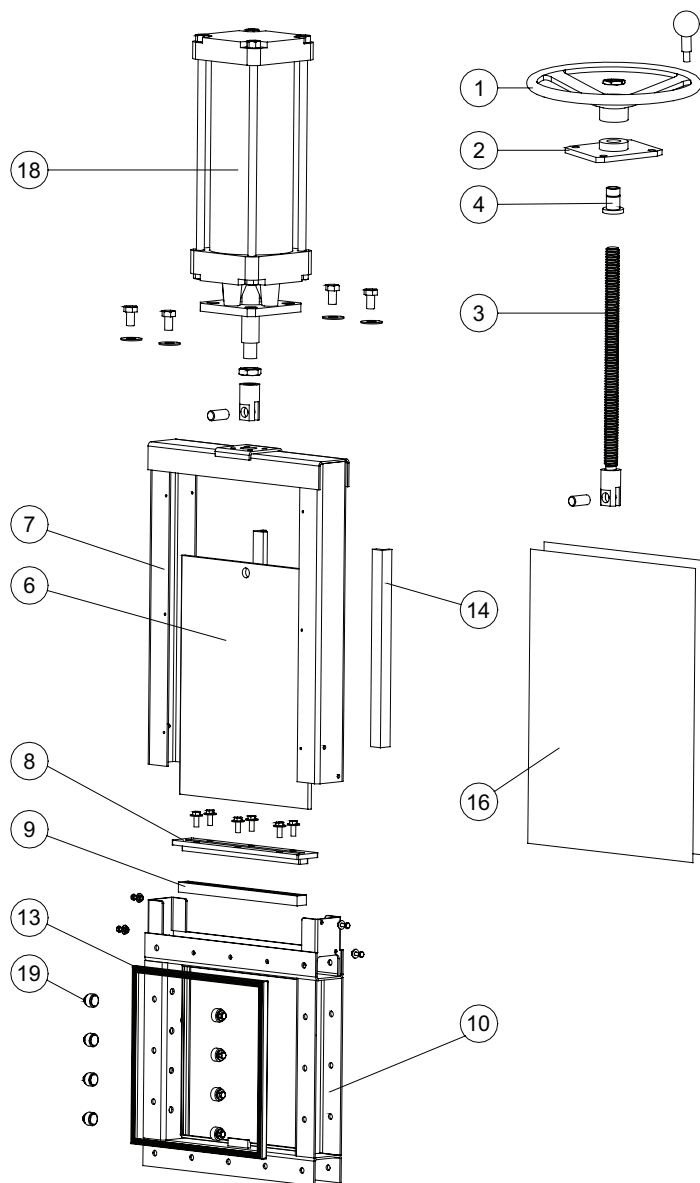
| Double-acting pneumatic cylinder (AC) | | | | | | | | | | | | | | | | | | |
|---------------------------------------|-----|-----|-----|-----|-----|-----|-----|-----|-----|-----|-----|-----|-----|-----|-----|-----|------|--|
| A1 ▼ A2 ► | 200 | 250 | 300 | 350 | 400 | 450 | 500 | 550 | 600 | 650 | 700 | 750 | 800 | 850 | 900 | 950 | 1000 | |
| 200 | 100 | 100 | 100 | | | | | | | | | | | | | | | |
| 250 | 100 | 100 | 100 | 100 | | | | | | | | | | | | | | |
| 300 | 100 | 100 | 100 | 160 | 160 | 160 | | | | | | | | | | | | |
| 350 | | 100 | 160 | 160 | 160 | 160 | 160 | | | | | | | | | | | |
| 400 | | | 160 | 160 | 160 | 160 | 160 | 160 | 160 | | | | | | | | | |
| 450 | | | 160 | 160 | 160 | 160 | 160 | 160 | 160 | 160 | 160 | 160 | | | | | | |
| 500 | | | | 160 | 160 | 160 | 160 | 160 | 160 | 160 | 160 | 200 | 200 | | | | | |
| 600 | | | | | 160 | 160 | 160 | 160 | 200 | 200 | 200 | 200 | 200 | 200 | 200 | | | |
| 700 | | | | | | | 160 | 200 | 200 | 200 | 200 | 200 | 200 | 200 | 250 | 250 | 250 | |
| 800 | | | | | | | | 200 | 200 | 200 | 200 | 200 | 250 | 250 | 250 | 250 | 250 | |
| 1000 | | | | | | | | | | | | 250 | 250 | 250 | 250 | 250 | 250 | |

The table above gives recommended cylinder sizes at normal operation with 5 bar air pressure. For other operating conditions, please contact Stafsjö or your local representative for advice.

| Electric motor (AUMA multi-turn) (EM) | | | | | | | | | | | | | | | | | | |
|---------------------------------------|------|------|------|------|------|------|------|------|------|------|------|------|------|------|------|------|------|--|
| A1 ▼ A2 ► | 200 | 250 | 300 | 350 | 400 | 450 | 500 | 550 | 600 | 650 | 700 | 750 | 800 | 850 | 900 | 950 | 1000 | |
| 200 | 07.2 | 07.2 | 07.2 | | | | | | | | | | | | | | | |
| 250 | 07.2 | 07.2 | 07.2 | 07.2 | | | | | | | | | | | | | | |
| 300 | 07.2 | 07.2 | 07.2 | 07.6 | 07.6 | 07.6 | | | | | | | | | | | | |
| 350 | | 07.2 | 07.6 | 07.6 | 07.6 | 07.6 | 07.6 | | | | | | | | | | | |
| 400 | | | 07.6 | 07.6 | 07.6 | 07.6 | 07.6 | 07.6 | 07.6 | | | | | | | | | |
| 450 | | | 07.6 | 07.6 | 07.6 | 07.6 | 07.6 | 07.6 | 07.6 | 07.6 | 07.6 | 07.6 | | | | | | |
| 500 | | | | 07.6 | 07.6 | 07.6 | 07.6 | 07.6 | 07.6 | 07.6 | 07.6 | 07.6 | 07.6 | | | | | |
| 600 | | | | | 10.2 | 10.2 | 10.2 | 10.2 | 10.2 | 10.2 | 10.2 | 10.2 | 10.2 | 10.2 | 10.2 | | | |
| 700 | | | | | | | 10.2 | 10.2 | 10.2 | 10.2 | 10.2 | 10.2 | 10.2 | 10.2 | 14.2 | 14.2 | 14.2 | |
| 800 | | | | | | | | 10.2 | 10.2 | 10.2 | 10.2 | 10.2 | 14.2 | 14.2 | 14.2 | 14.2 | 14.2 | |
| 1000 | | | | | | | | | | | | 14.2 | 14.2 | 14.2 | 14.2 | 14.2 | 14.2 | |

Electric motors are mounted according to standard ISO 5210. The table above gives recommended motor sizes at normal operation. For other operating conditions, please contact Stafsjö or your local representative for advice.

The actuators are described in separate data sheets. For advice and information on other actuators or on ATEX-classified ones, please contact Stafsjö or your local representative.

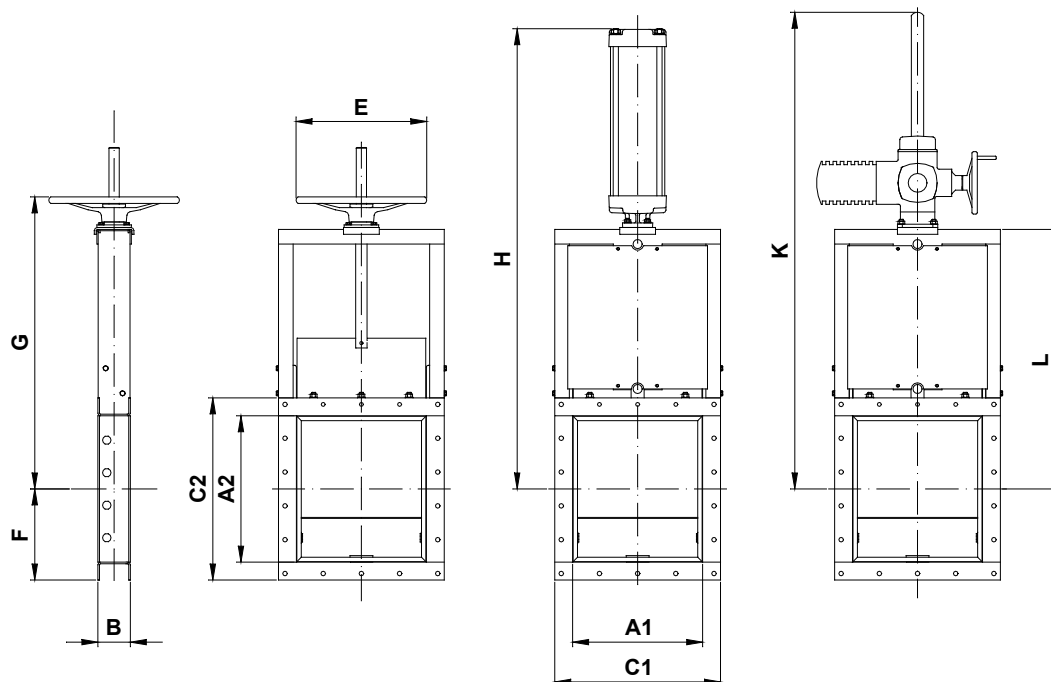


Part list

| Pos | Detail | Material (Type) |
|-----|------------|---|
| 1 | Hand wheel | Coated cast iron Ø 200 - Ø 315 (EN-JL1040/GG25), ≥ Ø 400 (EN-JL1030/GG20) |
| 2 | Yoke | Coated steel (EN 1.0045) |
| 3 | Stem | Stainless steel (EN 1.4104) |
| 4 | Stem nut | Brass (CC333G) |
| 6 | Gate | See equipment B |
| 7 | Top frame | Stainless steel (EN 1.4404) |
| 8 | Gland | Stainless steel (EN 1.4301) |

| Pos | Detail | Material (Type) |
|------------------|---------------------------|-----------------------------|
| 9 ¹⁾ | Box packing | See equipment D |
| 10 | Valve body | See equipment A |
| 13 ¹⁾ | Sealing profile | See equipment C |
| 14 | Guide strip | HD-polyethylene |
| 16 | Gate guard, not for HW | Stainless steel (EN 1.4301) |
| 18 | Cylinder | See data sheet |
| 19 | Rolling supports | Stainless steel (EN 1.4460) |

¹⁾ Recommended spare parts



Main dimensions

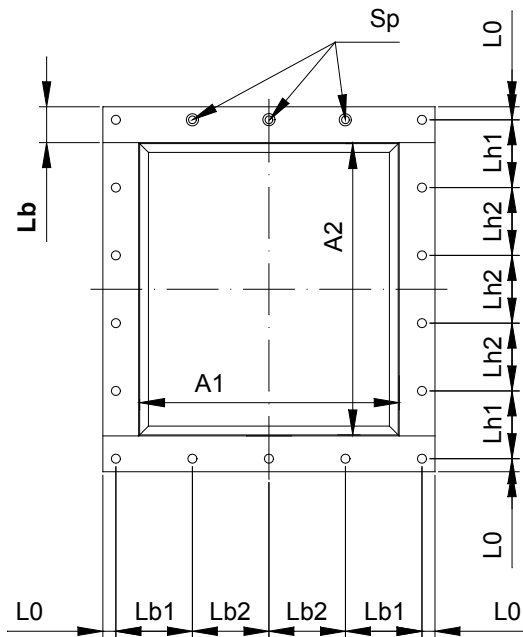
| Dimensioner (mm) | | | | | | | | | |
|---|-----|----------|----------|-----|----------|--------------|--------------|--------------|-------------|
| A1xA2 - A1xA2 | B | C1 | C2 | E | F | G | H | K | L |
| 200x200 - 300x450 | 90 | | | | | | | | |
| 350x250 - 600x900 | 100 | | | | | | | | |
| 700x500 - 1000x1000 | 140 | | | | | | | | |
| 200x200 - 500x800 | | A1 + 110 | A2 + 110 | | | | | | |
| 600x400 - 600x900 | | A1 + 120 | A2 + 120 | | | | | | |
| 700x500 - 1000x1000 | | A1 + 130 | A2 + 130 | | | | | | |
| 200x200 - 1000x1000 | | | | | C2 X 0,5 | | | | |
| 200x200 - 500x800 | | | | 315 | | F + A2 + 186 | | | |
| 600x400 - 600x900 | | | | 400 | | F + A2 + 195 | | | |
| 700x500 - 1000x1000 | | | | 520 | | F + A2 + 244 | | | |
| 200x200 - 500x800 | | | | | | | | | F + A2 + 76 |
| 600x400 - 600x900 | | | | | | | | | F + A2 + 71 |
| 700x500 - 1000x1000 | | | | | | | | | F + A2 + 78 |
| Equiped with AC 100 | | | | | | | L + A2 + 164 | | |
| Equiped with AC 160 | | | | | | | L + A2 + 203 | | |
| Equiped with AC 200 | | | | | | | L + A2 + 249 | | |
| Equiped with AC 250 | | | | | | | L + A2 + 356 | | |
| Equiped with AUMA 07.2 | | | | | | | | L + A2 + 100 | |
| Equiped with AUMA 07.6 | | | | | | | | L + A2 + 100 | |
| Equiped with AUMA 10.2 600x400 - 600x900 | | | | | | | | L + A2 + 111 | |
| Equiped with AUMA 10.2 700x500 - | | | | | | | | L + A2 + 143 | |
| Equiped with AUMA 14.2 | | | | | | | | L + A2 + 143 | |

Main dimensions are only for information. Contact Stafsjö for certified drawings.

Flange drilling

See page 2 for available sizes and combinations.

- A1: **Width bore**
 - A2: **Hight bore**
 - L0: **20 mm**
 - Lb1/Lh1: **The distance between the corner hole and the adjacent hole.**
 - Lb2/Lh2: **The distance between the remaining holes, no matter number of holes.**
 - Sp: **Bolt size on the A1 top side**
 - Sdf: **Diameter of through going holes**
- No. of threaded holes = No. of holes per side minus 2 holes**



| Lb = 55 mm | | | | | |
|------------|-------|-------|-----|-------|-------|
| A1 | Lb1 | Lb2 | A2 | Lh1 | Lh2 |
| 200 | 135 | 135 | 200 | 135 | 135 |
| 250 | 107 | 106 | 250 | 107 | 106 |
| 300 | 124 | 122 | 300 | 124 | 122 |
| 350 | 105 | 105 | 350 | 105 | 105 |
| 400 | 117,5 | 117,5 | 400 | 117,5 | 117,5 |
| 450 | 104 | 104 | 450 | 104 | 104 |
| 500 | 114 | 114 | 500 | 114 | 114 |
| | | | 550 | 104 | 103 |
| | | | 600 | 113 | 111 |
| | | | 650 | 120 | 120 |
| | | | 700 | 110 | 110 |
| | | | 750 | 117,5 | 117 |
| | | | 800 | 111 | 108 |

| Lb = 60 mm | | | | | |
|------------|-----|-----|-----|-------|-------|
| A1 | Lb1 | Lb2 | A2 | Lh1 | Lh2 |
| 600 | 114 | 113 | 400 | 120 | 120 |
| | | | 450 | 106 | 106 |
| | | | 500 | 116 | 116 |
| | | | 550 | 105 | 105 |
| | | | 600 | 114 | 113 |
| | | | 650 | 122 | 121,5 |
| | | | 700 | 112,5 | 111 |
| | | | 750 | 120 | 118 |
| | | | 800 | 110 | 110 |
| | | | 850 | 117 | 116 |
| | | | 900 | 112 | 108 |

| Holes | | | |
|-----------|-----------------------|-----|----------|
| A1 and A2 | No. of holes per side | Sp | Sdf (mm) |
| 200 | 3 | M12 | 14 |
| 250 | 4 | M12 | 14 |
| 300 | 4 | M12 | 14 |
| 350 | 5 | M12 | 14 |
| 400 | 5 | M12 | 14 |
| 450 | 6 | M12 | 14 |
| 500 | 6 | M12 | 14 |
| 600 | 7 | M12 | 14 |
| 700 | 8 | M16 | 18 |
| 800 | 9 | M16 | 18 |
| 1000 | 10 | M16 | 18 |

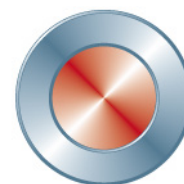
| Lb = 65 mm | | | | | |
|------------|-------|-----|------|-------|-------|
| A1 | Lb1 | Lb2 | A2 | Lh1 | Lh2 |
| 700 | 112,5 | 113 | 500 | 118 | 118 |
| 800 | 112 | 111 | 550 | 108 | 106 |
| 1000 | 121,5 | 121 | 600 | 115 | 115 |
| | | | 650 | 124 | 123 |
| | | | 700 | 112,5 | 113 |
| | | | 750 | 120 | 120 |
| | | | 800 | 112 | 111 |
| | | | 850 | 117,5 | 117,5 |
| | | | 900 | 110 | 110 |
| | | | 950 | 117,5 | 115 |
| | | | 1000 | 121,5 | 121 |

Further information is available on www.stafsjo.com



Globally active. Locally represented.

AFRICA South Africa: Valve & Automation (Pty) Ltd, ASIA China: EBRO ARMATUREN (BEIJING) CO., LTD, India: Ebro Armaturen India Pvt. Ltd, Indonesia: Contromatic Prima Mandiri PT, Japan: SKC Co. Ltd, Malaysia: Precision Control SdnBnd, Philippines: EBRO ARMATUREN (PHILIPPINES) INC, Thailand: EBRO VALVES (Trading) Co. Ltd., Vietnam: EBRO VALVES (Thailand) Co., Ltd, AUSTRALIA/OCEANIA Australia: EBRO ARMATUREN Pacific PTY. LTD, New Zealand: H.J.Asmuss&Co.Ltd EUROPE Austria: EBRO ARMATUREN GmbH, Belgium: V.C.T. - Valve & Connector Technology n.v., Denmark: Valtor Industri A/S, Finland: Tecalemit Flow Oy, France: EBRO ARMATUREN, Germany: EBRO ARMATUREN Gebr. Bröer GmbH, Great Britain: EBRO Valves Ltd, Hungary: EBRO ARMATUREN Kft, Ireland: ESI Technologies Ltd., Iceland: Hédinn HF, Italy: EBRO VALVOLE SRL, The Netherlands: EBRO VALVES B.V., Norway: BAGGES AS, Poland: EBRO ARMATUREN GmbH, Portugal: AxFlow Comércio de Aquipamentos LDA, Russia: LesBumMash Ltd, Roitech and Sevkom, Spain: EBRO ARMATUREN ESPAÑA, S.L., Switzerland: EBRO Armaturen Est. & Co. KG, Sweden: Stafsjö Valves AB and Ahlsell Sverige AB, Turkey: EBRO ARMATUREN Otomasyon Sistemleri San ve Tic Ltd. Sti, Ukraine: EBRO ARMATUREN GmbH Representative office Kiev NORTH AMERICA Canada: Armour Valve Ltd, USA: EBRO ARMATUREN USA Inc. SOUTH AMERICA Argentina: ESCO ARGENTINA SA, Brazil: ELAN Equipamentos Industriais LTDA, Chile: Ebro Stafsjö Valves Chile Ltd For other countries, please contact us directly.



Stafsjö
SINCE 1666